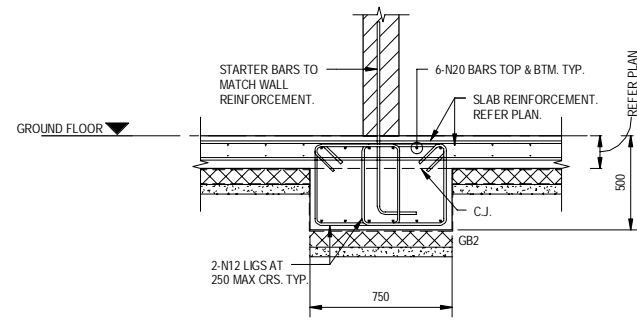
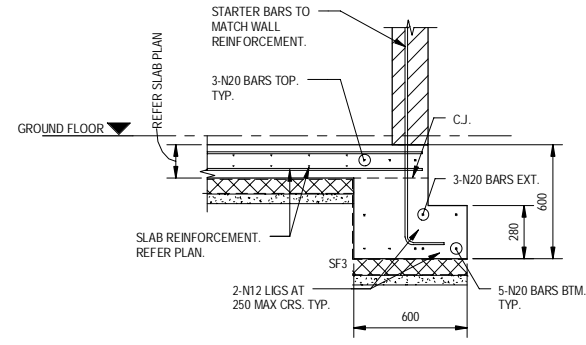


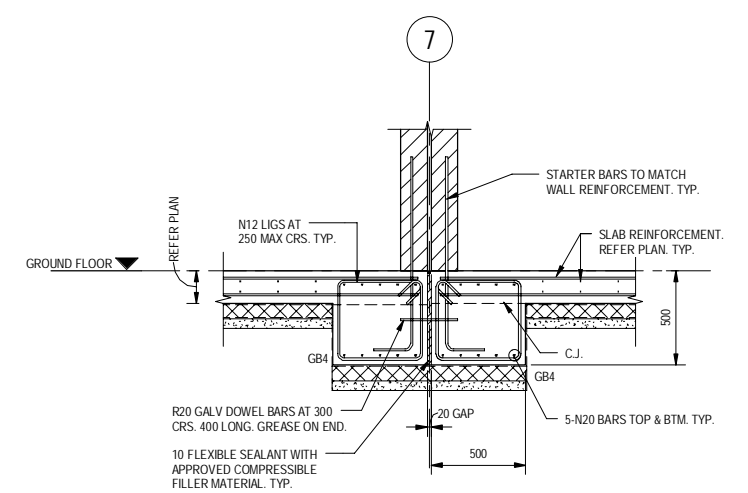
TYPICAL GROUND BEAM DETAIL - GB1
SCALE 1:20



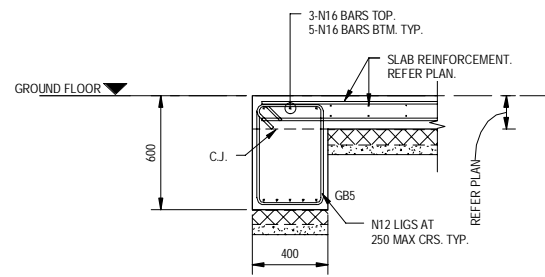
TYPICAL GROUND BEAM DETAIL - GB2
SCALE 1:20



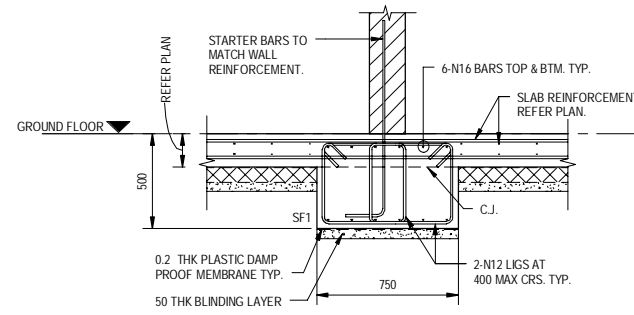
TYPICAL GROUND BEAM DETAIL - GB3
SCALE 1:20



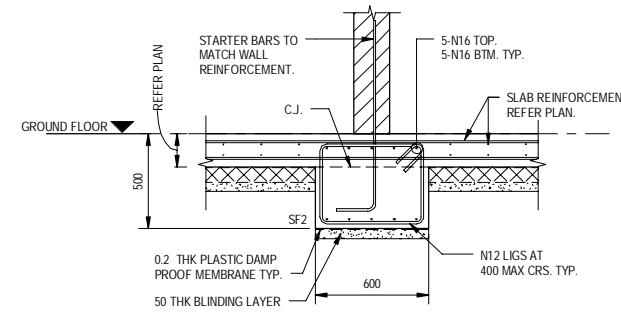
TYPICAL GROUND BEAM DETAIL - GB4
SCALE 1:20



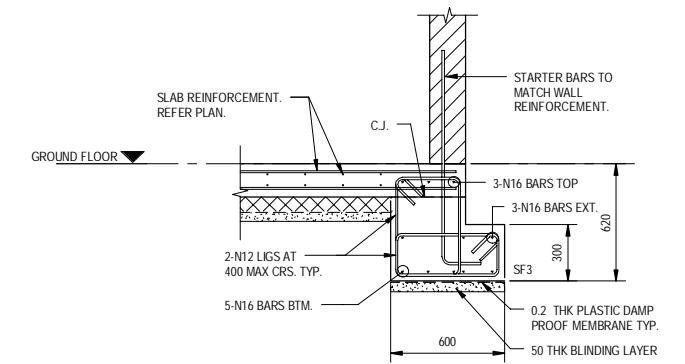
TYPICAL GROUND BEAM DETAIL - GB5
SCALE 1:20



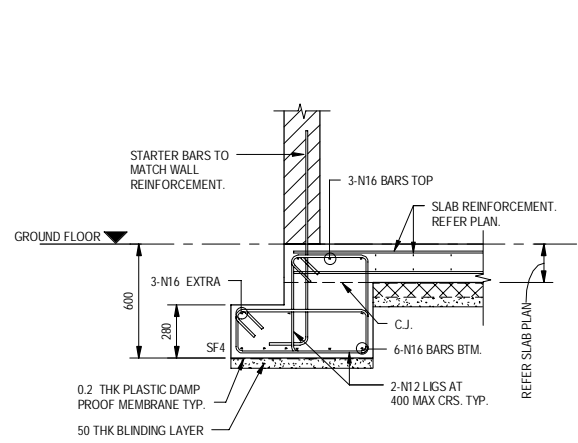
TYPICAL STRIP FOOTING DETAIL - SF1
SCALE 1:20



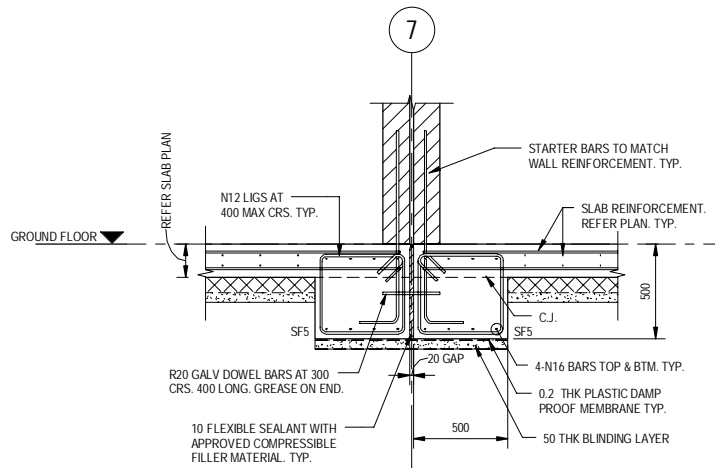
TYPICAL STRIP FOOTING DETAIL - SF2
SCALE 1:20



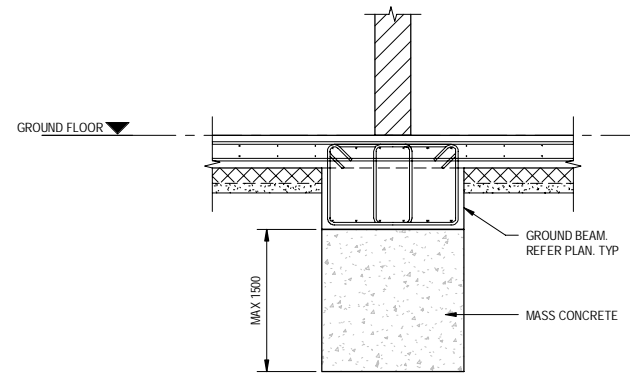
TYPICAL STRIP FOOTING DETAIL - SF3
SCALE 1:20



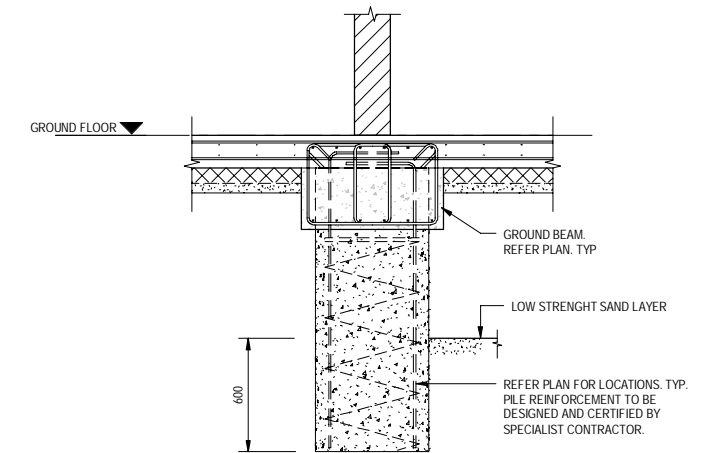
TYPICAL STRIP FOOTING DETAIL - SF4
SCALE 1:20



TYPICAL STRIP FOOTING DETAIL - SF5
SCALE 1:20



TYPICAL GROUND BEAM TO BACKHOE PIER DETAIL
SCALE 1:20



TYPICAL GROUND BEAM TO BORED PIER DETAIL
SCALE 1:20